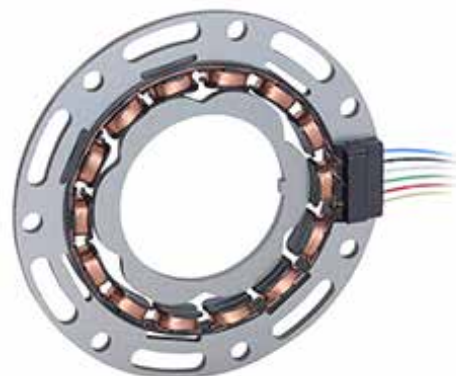


Resolver 52VRX

Minebea

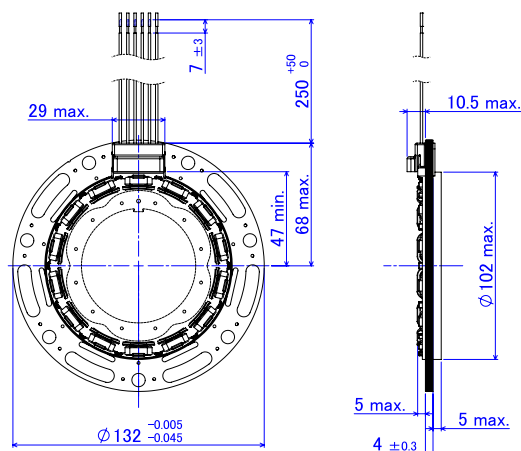
Specifications

Number of multiple	2X-6X
Input Voltage [AC Vrms]	7
Input Frequency [KHz]	10
Transformation Ratio	0.286
Maximum Rotation Speed [r/min]	12000
Operation Temperature Range	-40 - +125
Stator Outer Diameter [mm]	132
Rotor Inner Diameter [mm]	52
Stack Thickness [mm]	4

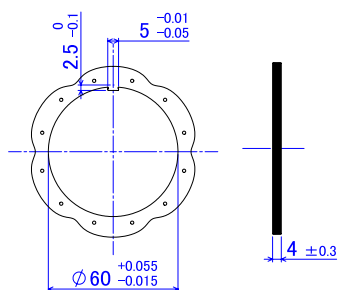


Dimensions

[mm]



[mm]



Rotor 6X