

Resolver 15VRX

Minebea

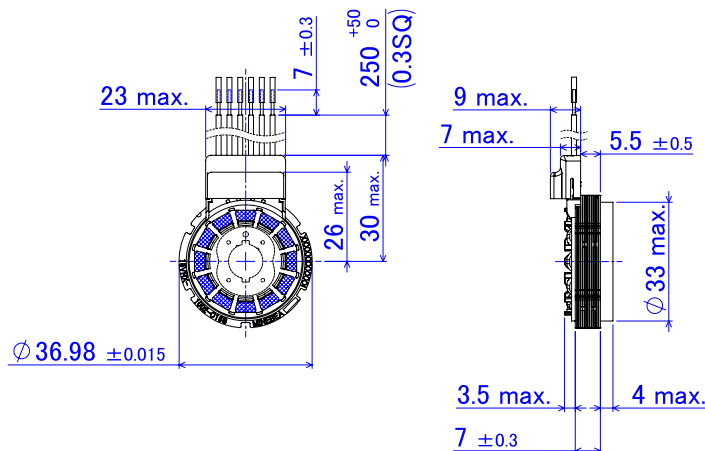
Specifications

Number of multiple	2X-5X
Input Voltage [AC Vrms]	7
Input Frequency [KHz]	10
Transformation Ratio	0.286
Maximum Rotation Speed [r/min]	30000
Operation Temperature Range	-40 - +125
Stator Outer Diameter [mm]	37
Rotor Inner Diameter [mm]	12
Stack Thickness [mm]	7



Dimensions

[mm]



[mm]

