

Specifications

Molding Pressure Conversion Module
Built In Relay Box

MRB-304-BI

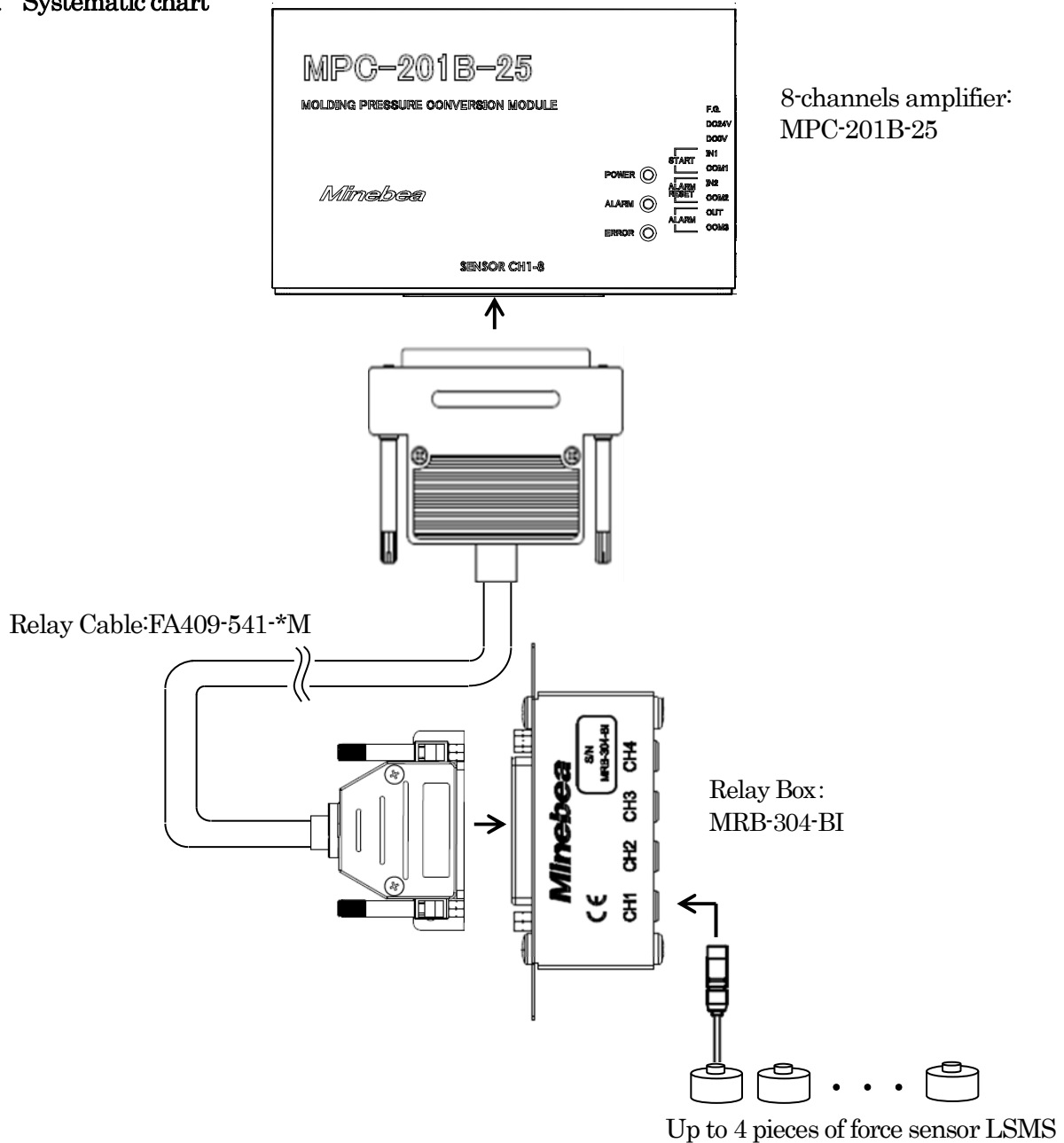
Spec. No. EN353304BI-A

1/4

1. General

This unit is used when wiring the force sensor LSMS embedded in the mold up to 4ch to the molding pressure conversion module MPC-201B-25. A dedicated cable FA409-541- * M is required to connect to the MPC-201B-25.

1-1. Systematic chart



*This unit can be also used in combination with MPC-201-25.

Specifications

MRB-304-BI

Spec. No. EN353304BI-A

2/4

2. General Specification

- Operating temperature/humidity range
 - Temperature 0 °C ~ 100 °C
 - Humidity 85 %RH or less (Non Condensing)
- Stored temperature range -10 °C ~ 100 °C
- Vibration resistance 10 ~ 55 Hz double amplitude 1.5 mm
2 hours for each direction of X, Y or Z.
- Outline dimensions (W)98mm x (H)14.8 mm x (D)39.1 mm (Excludes protruding parts.)
- Weight Approx. 80 g
- Material of case SUS304
- Applicable transducer LSMS-S06, LSMSB series
Up to 4 units can be connected
- Applicable amplifier MPC-201-25, MPC-201B-25

3. Accessories

- Instruction manual 1 pad

4. Relay Cable (Options)

- Model
 - FA409-541-2M (Cable length 2m)
 - FA409-541-5M (Cable length 5m)
 - FA409-541-10M (Cable length 10m)
- Operating temperature/humidity range
 - Temperature 0 °C ~ 100 °C (Connector on amplifier side 0 °C~50 °C)
 - Humidity 85 %RH or less (Non Condensing)
- Stored temperature range 0 °C ~ 50 °C
(Because operation temperature range of the connector on amplifier side is up to 50°C.)
- Cable outer diameter Approx. 8.3mm
- Minimum bending radius 50mm

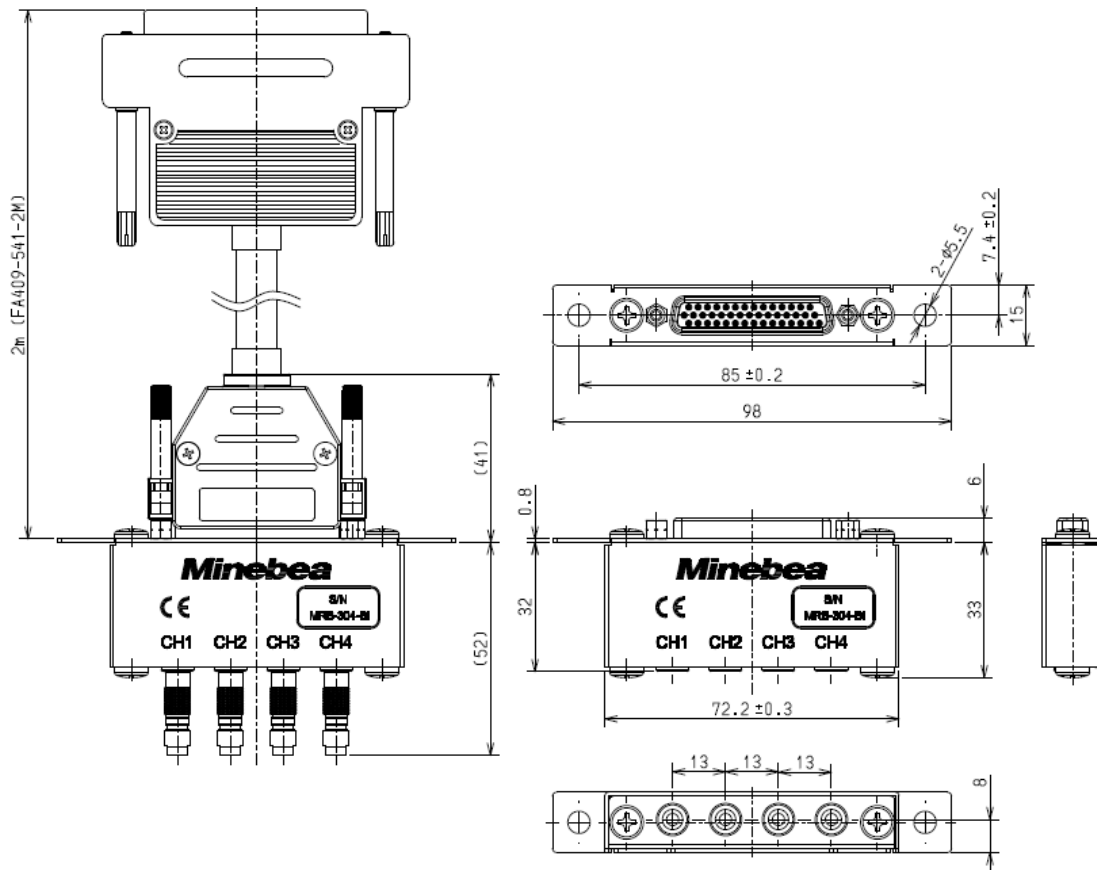
Specifications

MRB-304-BI

Spec. No. EN353304BI-A

3/4

5. Outline dimensions



Unit:mm

Specifications

MRB-304-BI

Spec. No. EN353304BI-A

4/4

6. Conformity standard

This instrument has suited the following standard.

EN 61326-1:2013

[Electrical equipment for measurement, control, and laboratory use - EMC requirements]
[Immunity test requirements for equipment intended for use in industrial locations]

RoHS compliant

To meet the above-mentioned standards, the usage conditions of the entire system including this unit are specified as follows:

6-1. Power supply

- Be sure to use "CE mark compliant product" as DC 24 V power supply for the Amplifier MPC-201B-25.

6-2. Cable

- Use the shielded cable other than the power cable.
- Mount the provided ferrite core to USB cable as shown in [5-2-4. USB connection] of the instruction manual of MPC-201B-25.

6-3. Shield processing

- Connect the shield cable of I/O with the protective ground terminal.
- Connect the shield cable of V-OUT with F.G. terminal.
- Ground the shield of the opposite side of the I/O cable and the V-OUT cable. (Both ends grounding)

6-4. Grounding

- Make a single ground for the Amplifier MPC-201B-25 with the protective ground terminal on the rear panel.

* Specifications and outline dimensions and so on which have printed may subject to change for the purpose of improvement without notice.