

Coil for Ultrasonic Sensor

TBN-706570L6

MITSUMI

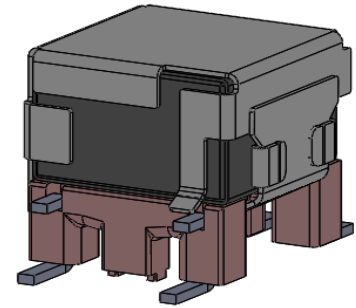
Features

- Compatible with high inductance
- Encapsulation with waterproof resin is possible
- High shield with copper case
- Compatible with AEC-Q200

Applications

- Automotive: step-up transformer for ultrasonic corner sensor

TBN-706570L6



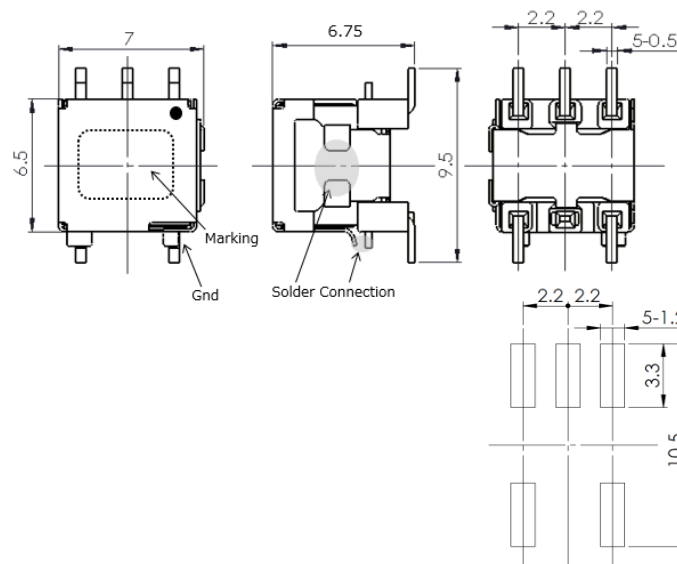
Specifications

MODEL	Length	Width	Height	Inductance	Q
	(mm)	(mm)	(mm)	(mH)	
TBN-706570L6	7.0	6.5	6.75	~5.0	20~40

*Specification values are for reference only. Winding specification can be customized based on requirements.

Recommended Land Pattern (soldering footprint)

Tolerance $\pm 0.3\text{mm}$



- Any products mentioned in this catalog are subject to any modification in their appearance and others for improvements without prior notification.
- The details listed here are not a guarantee of the individual products at the time of ordering. When using the products, you will be asked to check their specifications.