

Coil for Ultrasonic Sensor

TBM-736273NX

MITSUMI

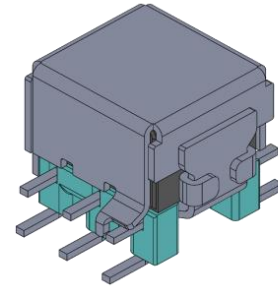
Features

- High reliability for automotive parts requirements
- Encapsulation with waterproof resin is possible
- High shield with copper case
- Narrow tolerance for inductance

Applications

- Automotive: step-up transformer for ultrasonic corner sensor

TBM-736273NX

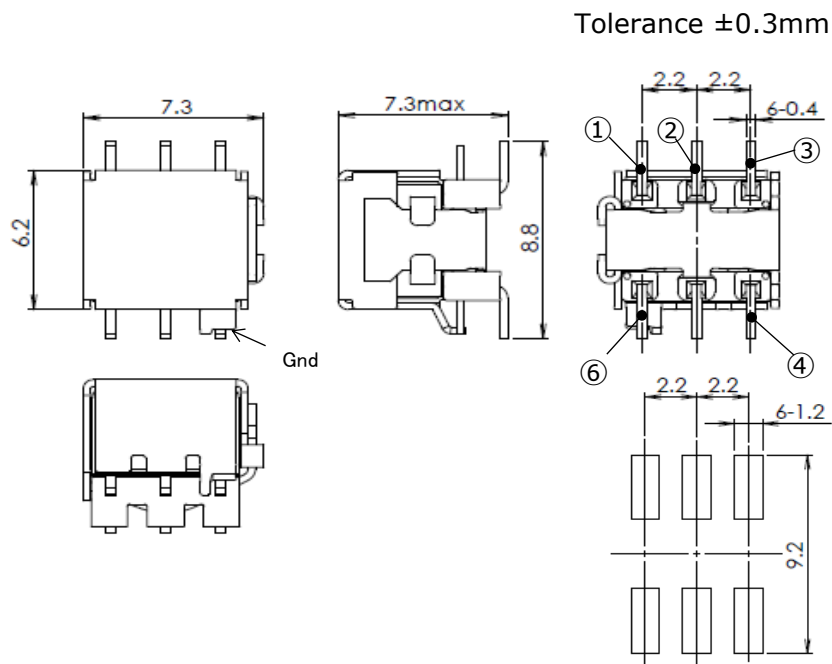


Specifications

MODEL	Length	Width	Height	Inductance	Q
	(mm)	(mm)	(mm)	(mH)	
TBM-736273NX	6.2	7.3	7.3max	~4.2	15min

*Specification values are for reference only. Winding specification can be customized based on requirements.

Recommended Land Pattern (soldering footprint)



RECOMMENDED LAND PATTERN

- Any products mentioned in this catalog are subject to any modification in their appearance and others for improvements without prior notification.
- The details listed here are not a guarantee of the individual products at the time of ordering. When using the products, you will be asked to check their specifications.