

Coil for Ultrasonic Sensor

KBP-848477NR

MITSUMI

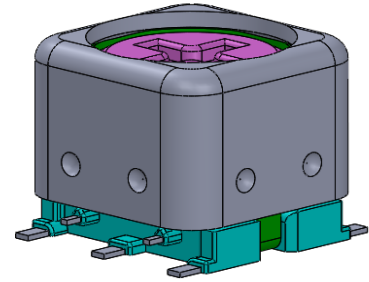
Features

- High reliability for automotive parts requirements
- Encapsulation with waterproof resin is possible
- High shield with dual case
- Inductance adjustable structure

Applications

- Automotive: step-up transformer for ultrasonic corner sensor

KBP-848477NR



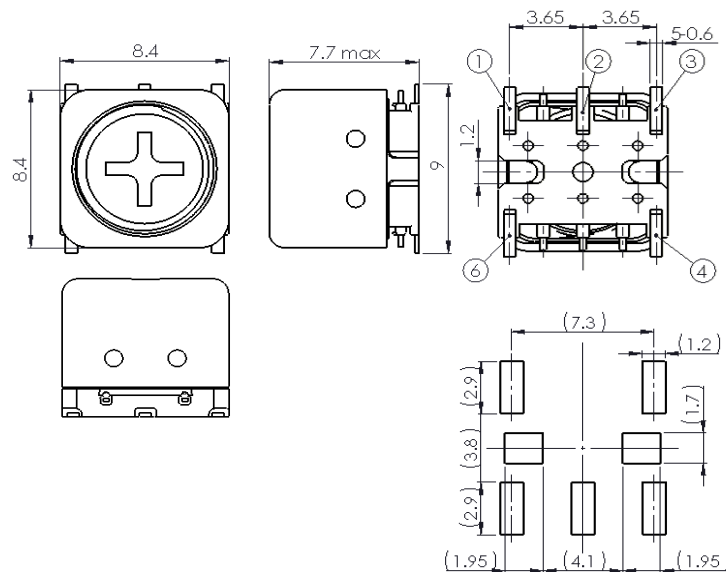
Specifications

MODEL	Length	Width	Height	Inductance	Q
	(mm)	(mm)	(mm)	(mH)	
KBP-848477NR	8.4	8.4	7.7max	~2.5	10~40

*Specification values are for reference only. Winding specification can be customized based on requirements.

Recommended Land Pattern (soldering footprint)

Tolerance $\pm 0.3\text{mm}$



- Any products mentioned in this catalog are subject to any modification in their appearance and others for improvements without prior notification.
- The details listed here are not a guarantee of the individual products at the time of ordering. When using the products, you will be asked to check their specifications.