

# High Current Filter Coil

## **CFS-676850NX**

**MITSUMI**

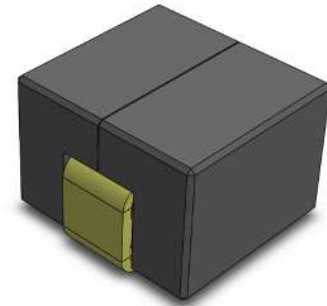
### Features

- High saturation current noise filter
- Generates minimal heat due to low DC resistance
- Special structure for high reliability
- High operating frequency
- Low profile

### Applications

- Automotive electronic equipment: AV equipment, cluster and ECU

### CFS-676850NX

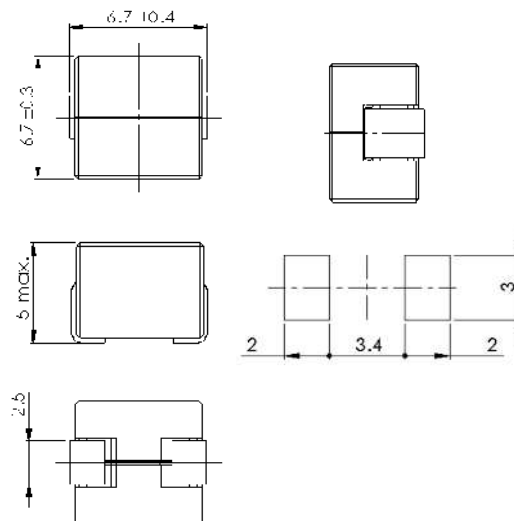


### Specifications

MODEL	Length	Width	Height	Inductance	DCR	I <sub>DC</sub> (L-20)	Shield Type
	(mm)	(mm)	(mm)	(nH)	(mΩ)	(A)	
CFS-676850NX	6.7	6.7	5.0max	150	0.2	25	

*\*Specification values are for reference only because the design is under development.*

### Recommended Land Pattern (soldering footprint)



- Any products mentioned in this catalog are subject to any modification in their appearance and others for improvements without prior notification.
- The details listed here are not a guarantee of the individual products at the time of ordering. When using the products, you will be asked to check their specifications.