

FAKRA Connector (VE type)

CDM-L94 / R41-B620

MITSUMI

Features

1. Applicable to automotive antennas for radio frequency signal transmission.
2. Supports the frequency range up to 6 GHz.
3. Compact design for PDB
4. Each coding (mating key) is available.
5. Compliant with RoHS Directive.

CDM-L94



Specifications

Electrical Characteristics

Rated Voltage	60V DC max.
Rated Current	1A DC max.
Characteristic Impedance	50Ω
Insertion Loss	≤ 0.15 dB (0.07-0.2 GHz); ≤ 0.25 dB (0-0.5 GHz); ≤ 0.3 dB (0-2 GHz); ≤ 0.3 dB (2-3 GHz); ≤ 0.45 dB (3-6 GHz)
Return Loss	≥ 20.83 dB (0.07-0.2 GHz); ≥ 16.54 dB (0-0.5 GHz); ≥ 15.56 dB (0-2 GHz); ≥ 13.98 dB (2-3 GHz); ≥ 12.74 dB (3-6 GHz)

Mechanical Characteristics

Life (Mating Cycle)	25 times
Total Insertion Force	≤ 25N
Total Withdrawal Force	≥ 25N

Material & Finish

Component Parts		Material	Finish
CDM-L94 VE type	Contact Pin	Copper alloy	Gold plating
	Shell	Copper alloy	Ni Plating
	Cover	Thermoplastic resin	Color: depend on each work item
	Film	Polyimide	-

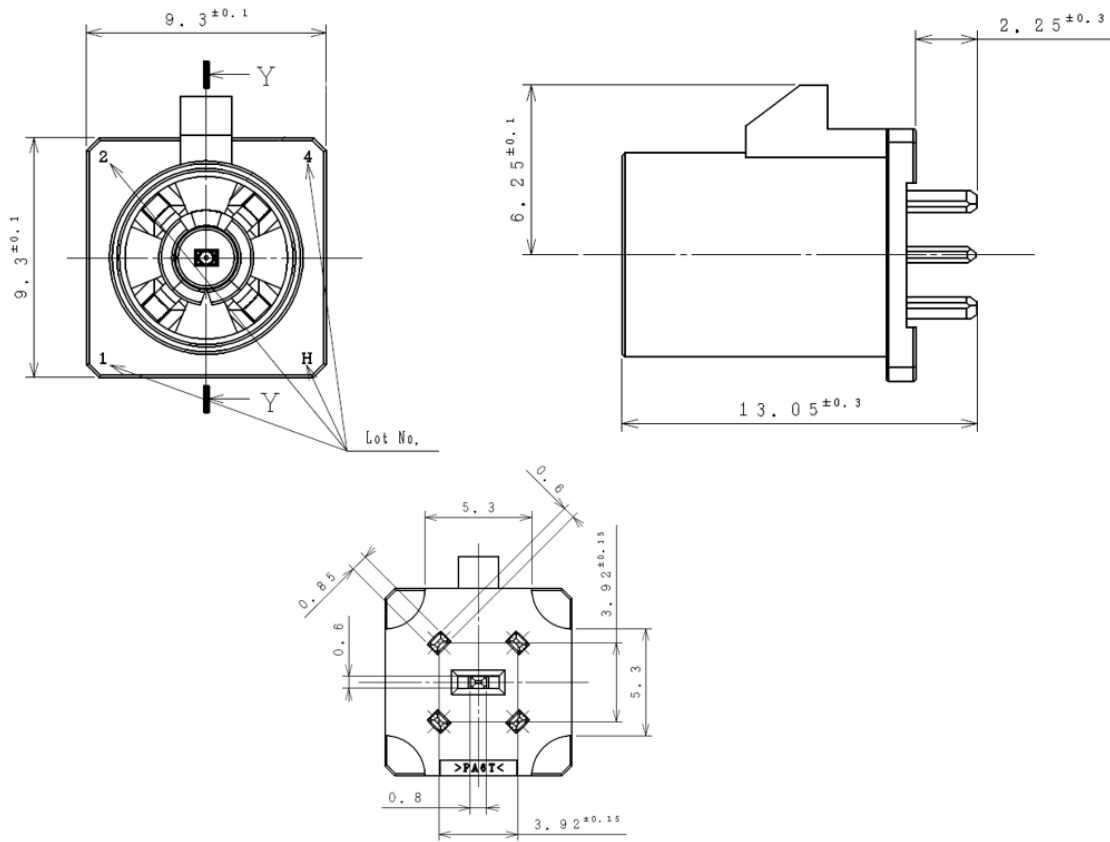
- Any products mentioned in this catalog are subject to any modification in their appearance and others for improvements without prior notification.
- The details listed here are not a guarantee of the individual products at the time of ordering. When using the products, you will be asked to check their specifications.

FAKRA Connector (VE type) CDM-L94 / R41-B620

mitsumi

Dimensions

CDM-L94



Unit: mm

- Any products mentioned in this catalog are subject to any modification in their appearance and others for improvements without prior notification.
- The details listed here are not a guarantee of the individual products at the time of ordering. When using the products, you will be asked to check their specifications.