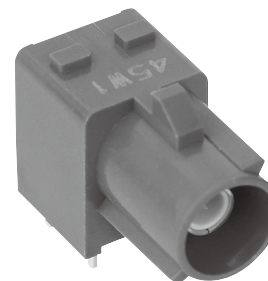


Features

1. Applicable to automotive antennas for radio frequency signal transmission.
2. Weight saving model with metal stamped shell
3. Each coding (mating key) is available.
4. Compliant with RoHS Directive.

CDM-K30



Specifications

Electrical Characteristics

| | |
|--------------------------|---|
| Rated Voltage | 60V DC max. |
| Rated Current | 1A DC max. |
| Characteristic Impedance | 50Ω |
| Insertion Loss | 0.15dB max. (0 to 1GHz) 0.25dB max. (1 to 2.5GHz) 0.35dB max. (2.5 to 4GHz) |
| Return Loss | 15.6dB min. (0 to 2GHz) 14.0dB min. (2 to 4GHz) |

Mechanical Characteristics

| | |
|------------------------|----------|
| Life (Mating Cycle) | 25 times |
| Total Insertion Force | ≤25N |
| Total Withdrawal Force | ≤25N |

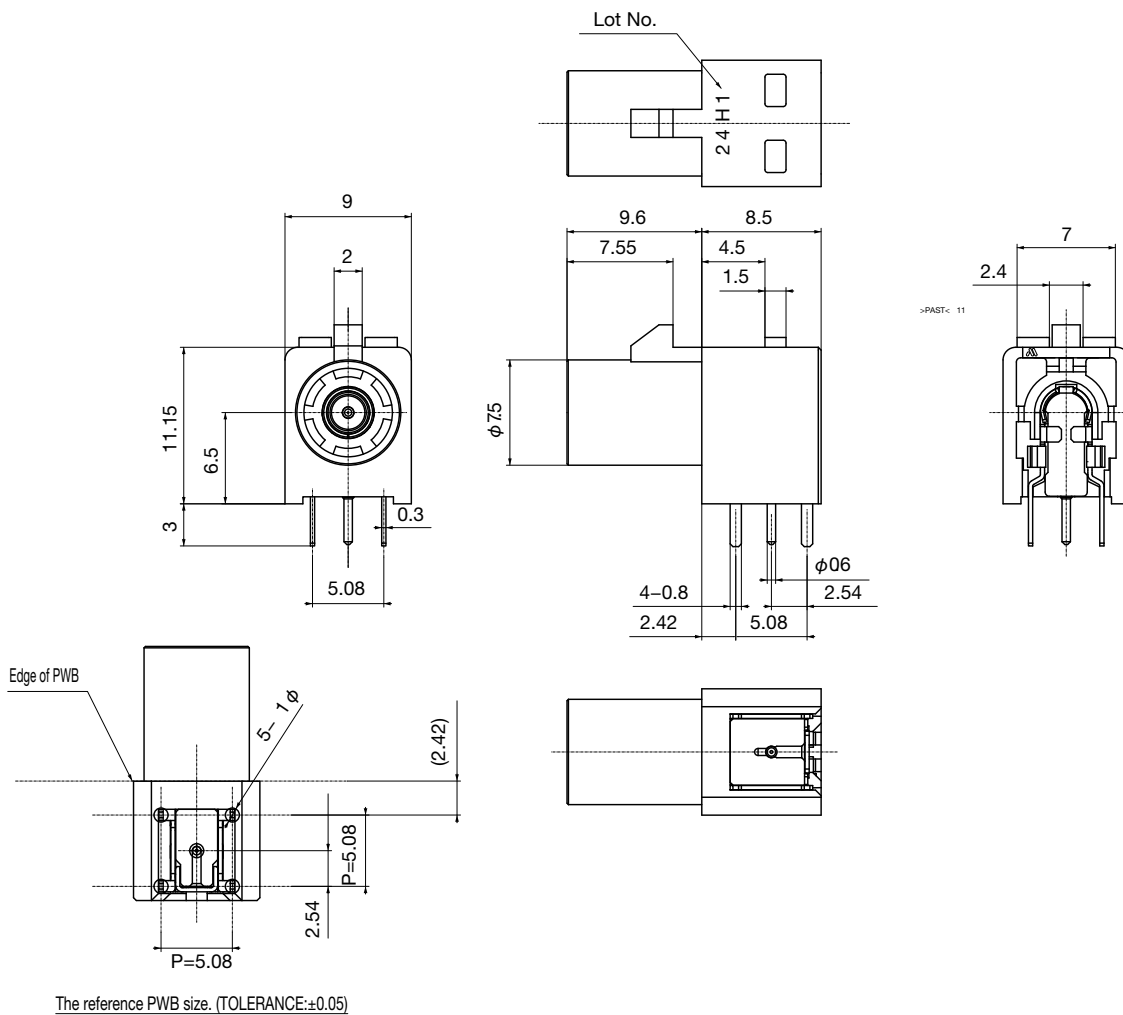
Material & Finish

| Component Parts | | Material | Finish |
|---------------------------------|-------------|--------------|----------------------------|
| CDM-K30 Short molded type | Contact Pin | Copper alloy | Gold plating |
| | Housing | LCP resin | Natural |
| | Shell | Copper alloy | Ni plating |
| | Cover | PA9T resin | Corresponds to each coding |

- Any products mentioned in this catalog are subject to any modification in their appearance and others for improvements without prior notification.
- The details listed here are not a guarantee of the individual products at the time of ordering. When using the products, you will be asked to check their specifications.

Dimensions

CDM-K30



Unit: mm

- Any products mentioned in this catalog are subject to any modification in their appearance and others for improvements without prior notification.
- The details listed here are not a guarantee of the individual products at the time of ordering. When using the products, you will be asked to check their specifications.