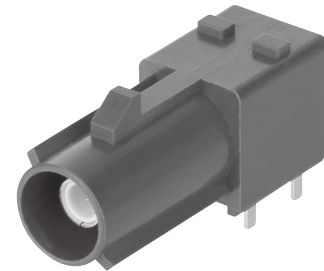


Features

1. Applicable to automotive antennas for radio frequency signal transmission.
2. Weight saving model with a metal stamped shell.
3. Each coding (mating key) is available.
4. Compliant with RoHS Directive.

CDM-K06



Specifications

Electrical Characteristics

Rated Voltage	60V DC max.
Rated Current	1A DC max.
Characteristic Impedance	50Ω
Insertion Loss	0.15dB max. (0 to 1GHz) 0.25dB max. (1 to 2.5GHz) 0.35dB max. (2.5 to 4GHz)
Return Loss	15.6dB min. (0 to 2GHz) 14.0dB min. (2 to 4GHz)

Mechanical Characteristics

Life (Mating Cycle)	25 times
Total Insertion Force	≤25N
Total Withdrawal Force	≤25N

Material & Finish

Component Parts		Material	Finish
CDM-K06 Long molded type	Contact Pin	Copper alloy	Gold plating
	Housing	LCP resin	Natural
	Shell	Copper alloy	Ni plating
	Plate	Copper alloy	Sn plating
	Cover	PA9T resin	Corresponds to each coding

- Any products mentioned in this catalog are subject to any modification in their appearance and others for improvements without prior notification.
- The details listed here are not a guarantee of the individual products at the time of ordering. When using the products, you will be asked to check their specifications.

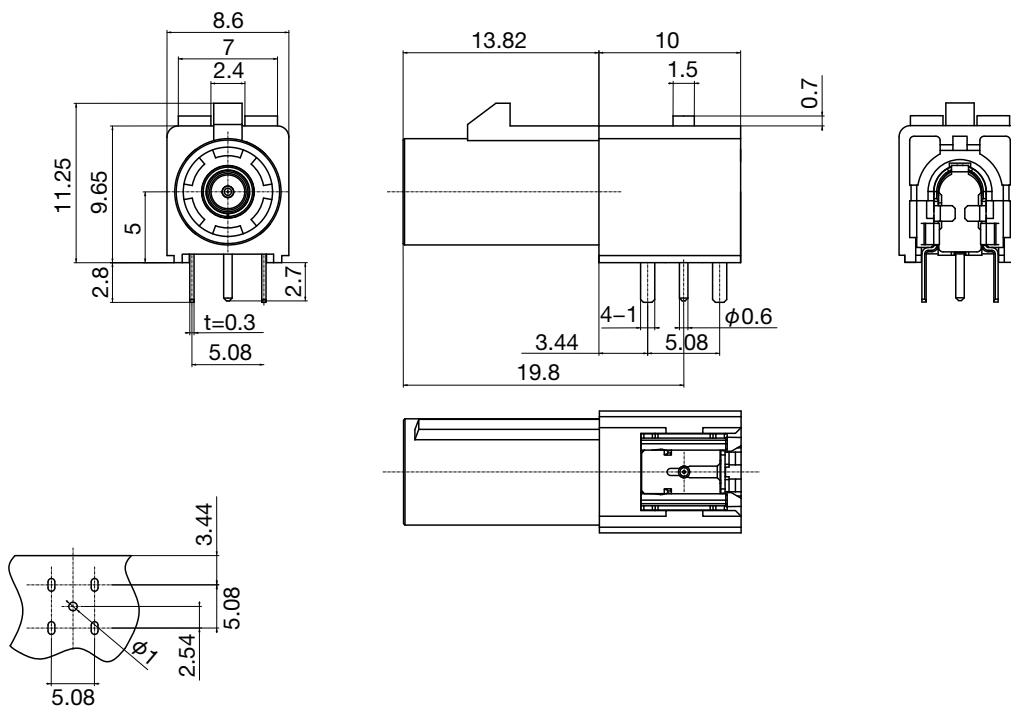
FAKRA Connector (Long molded type)

CDM-K06 / R41-A712



Dimensions

CDM-K06



The reference PWB size. (TOLERANCE:±0.05)

Unit: mm

- Any products mentioned in this catalog are subject to any modification in their appearance and others for improvements without prior notification.
- The details listed here are not a guarantee of the individual products at the time of ordering. When using the products, you will be asked to check their specifications.