



SALIOT MS-V6 is an IR tracking enabled, high lumen, high CRI, Mesh-networked, remote controlled LED track luminaire.

**PRODUCT CODE**

|             |          |          |          |                   |          |          |                       |          |               |          |                 |  |
|-------------|----------|----------|----------|-------------------|----------|----------|-----------------------|----------|---------------|----------|-----------------|--|
| <b>M</b>    | <b>S</b> | <b>-</b> | <b>V</b> | <b>6</b>          | <b>5</b> | <b>9</b> | <b>3</b>              | <b>U</b> | <b>S</b>      | <b>W</b> | <b>B</b>        |  |
| Series Code |          |          |          | Color Temperature |          |          | Color Rendering Index |          | Track Adapter |          | Luminaire Color |  |

**FEATURES**

- ◆ SALIOT MS-V6 delivers light output ranging from 2917 lumens to 3786 lumens, at 93 CRI.
- ◆ SALIOT is wirelessly controlled from up to 60ft away via a Bluetooth-enabled smart device.
- ◆ The SALIOT app controls the luminaire's motors and LED module to adjust the following features:
  - ◆ 9° to 34° beam spread (zoom)
  - ◆ +/- 270° horizontal rotation (pan)
  - ◆ +/- 80° vertical adjustment (tilt)
  - ◆ On/off switching
  - ◆ Dimming from 100% to 1%
  - ◆ IR tracking mode
- ◆ As many as 100 SALIOT MS-V6 devices may be grouped and settings can be saved as scenes.
- ◆ SALIOT MS-V6 luminaires are manufactured for 120V track system by Edison Price Lighting or EUTrac.\*

*\*Luminaire is UL certified for use on horizontally-mounted 120V track only. Not suitable for use on vertically-mounted track. Not suitable for use in Unicep single-xture track receptacle. Not suitable for use on electrical circuits including dimming controls of any kind.*

|                   |       |
|-------------------|-------|
| <b>Basic Unit</b> | MS-V6 |
|-------------------|-------|

| <b>LED Details (CRI/CCT/Luminaire Output at 34° beam spread)</b> |     |
|--|-----|
| 2700K / 93 CRI / 3296 lumens                                     | 593 |
| 3000K / 93 CRI / 3376 lumens                                     | 493 |
| 3500K / 93 CRI / 3563 lumens                                     | 393 |
| 4000K / 93 CRI / 3661 lumens                                     | 293 |
| 5000K / 93 CRI / 3786 lumens                                     | 193 |

| <b>Track Adapter</b>                 |    |
|--------------------------------------|----|
| Edison Price Lighting Sightline 120V | US |
| EUTrac 230 120V                      | U2 |

| <b>Luminaire Color</b> |    |
|------------------------|----|
| White                  | WB |
| Black                  | BB |

**Dimming notes:**

- ◆ Luminaire is suitable for use only on an electrical circuit which does not include a dimming device of any kind.
- ◆ Luminaire may be dimmed only by Bluetooth via a smart device with the SALIOT iOS or Android app.

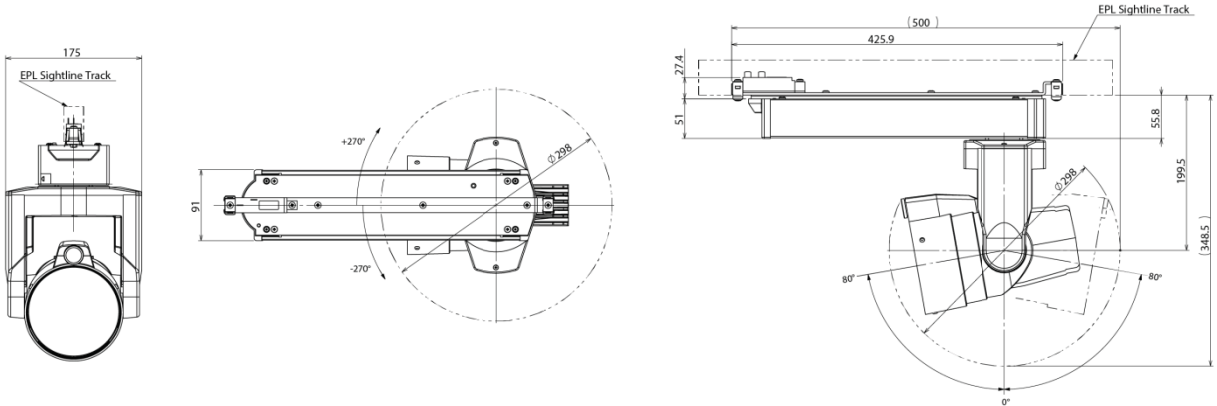
**Warranty details:**

- ◆ Fixture covered by MinebeaMitsumi warranty: 3 years on moving parts and 5 years on non-moving parts.

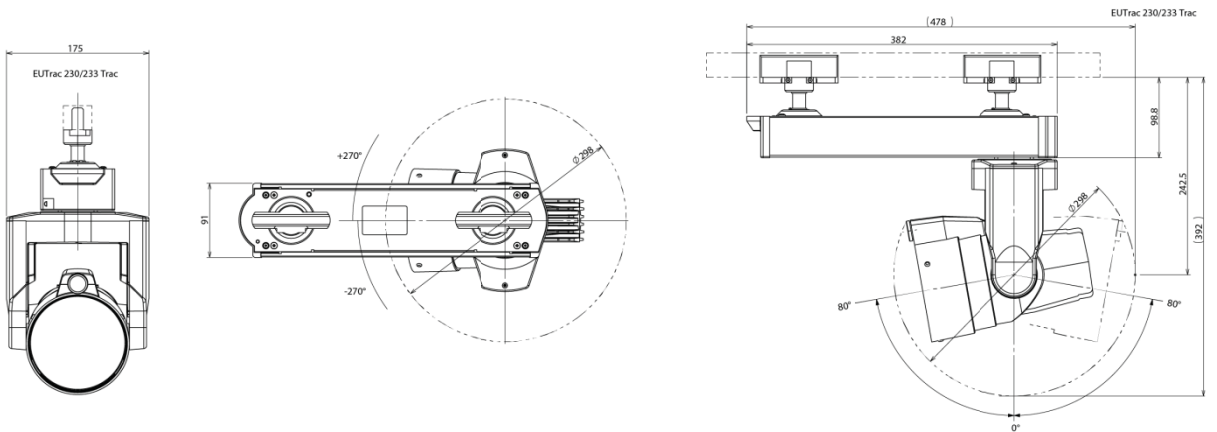


**CLEARANCE**

EPL Sightline Track



EUTracTrack





**PHOTOMETRIC REPORT** (20° Beam Angle)(tested per IESNA LM-79-2008)

Verification Services Report No. 12866413.03

Luminaire.....mesh network enabled LED track luminaire

LED .....93 CRI module, 3000K

LED Life .....Rated 40,000 hours based on L70/B50 criteria. LM80 report by LED manufacturer furnished upon request

**CANDLEPOWER DISTRIBUTION** (candela)

| Vertical Angle | Candela at 0° Horizontal Angle |
|----------------|--------------------------------|
| 0.0            | 28410                          |
| 10.0           | 2236                           |
| 20.0           | 1117                           |
| 30.0           | 827                            |
| 40.0           | 636                            |
| 50.0           | 388                            |
| 60.0           | 183                            |
| 70.0           | 53                             |
| 80.0           | 4                              |
| 90.0           | 0                              |

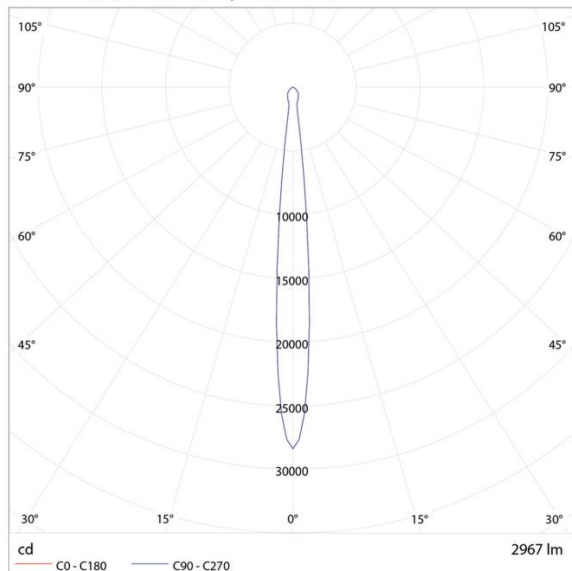
**LUMINAIRE LIGHT OUTPUT AND EFFICACY**

| LED Module Type | Luminaire Light Output | Luminaire CBCP | Luminaire Efficacy | System Wattage |
|-----------------|------------------------|----------------|--------------------|----------------|
| 93 CRI/2700K    | 2917                   | 27784          | 49                 | 60             |
| 93 CRI/3000K    | 2987                   | 28410          | 50                 | 60             |
| 93 CRI/3500K    | 3154                   | 30034          | 53                 | 60             |
| 93 CRI/4000K    | 3243                   | 30831          | 54                 | 60             |
| 93 CRI/5000K    | 3330                   | 31816          | 56                 | 60             |

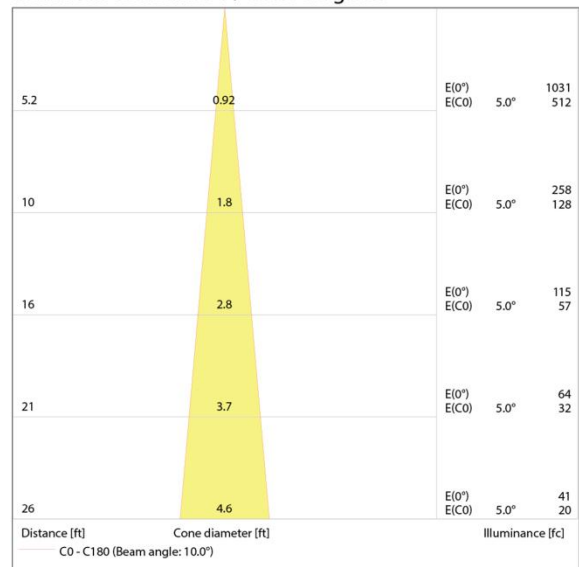
**LIGHT OUTPUT MULTIPLIERS** (based on 93CRI / 3000K LED)

| LED @93 CRI | 5000K | 4500K | 3500K | 3000K | 2700K |
|-------------|-------|-------|-------|-------|-------|
| Multiplier  | 1.12  | 1.09  | 1.06  | 1.00  | 0.98  |

Luminous emittance 1 / Polar LDC



Luminous emittance 1 / Cone diagram





**PHOTOMETRIC REPORT** (34° Beam Angle)(tested per IESNA LM-79-2008)

Verification Services Report No. 12866413.04

Luminaire.....mesh network enabled LED track luminaire

LED .....93 CRI module, 3000K

LED Life .....Rated 40,000 hours based on L70/B50 criteria. LM80 report by LED manufacturer furnished upon request

**CANDLEPOWER DISTRIBUTION** (candela)

| Vertical Angle | Candela at 0° Horizontal Angle |
|----------------|--------------------------------|
| 0.0            | 9388                           |
| 10.0           | 7807                           |
| 20.0           | 2317                           |
| 30.0           | 594                            |
| 40.0           | 397                            |
| 50.0           | 173                            |
| 60.0           | 35.5                           |
| 70.0           | 3.4                            |
| 80.0           | 1.1                            |
| 90.0           | 0                              |

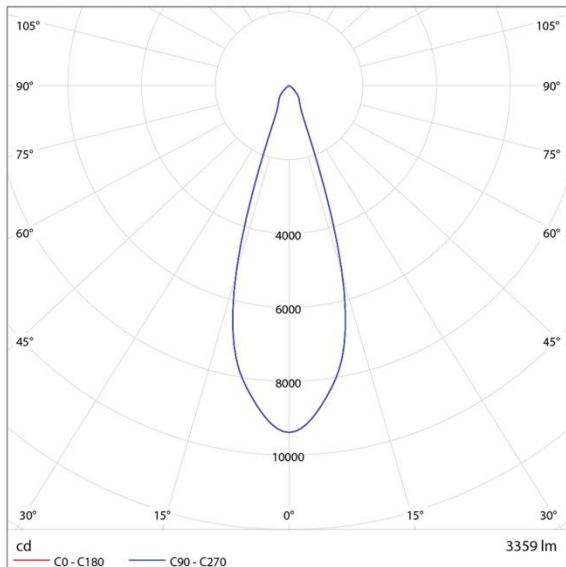
**LUMINAIRE LIGHT OUTPUT AND EFFICACY**

| LED Module Type | Luminaire Light Output | Luminaire CBCP | Luminaire E cacy | System Wattage |
|-----------------|------------------------|----------------|------------------|----------------|
| 93 CRI/2700K    | 3296                   | 9179           | 55               | 60             |
| 93 CRI/3000K    | 3376                   | 9388           | 56               | 60             |
| 93 CRI/3500K    | 3563                   | 9908           | 59               | 60             |
| 93 CRI/4000K    | 3661                   | 10194          | 61               | 60             |
| 93 CRI/5000K    | 3786                   | 10532          | 63               | 60             |

**LIGHT OUTPUT MULTIPLIERS** (based on 93CRI / 3000K LED)

| LED @93 CRI | 5000K | 4500K | 3500K | 3000K | 2700K |
|-------------|-------|-------|-------|-------|-------|
| Multiplier  | 1.12  | 1.09  | 1.06  | 1.00  | 0.98  |

Luminous emittance 1 / Polar LDC



Luminous emittance 1 / Cone diagram

