

5W USB Output AC adaptor ADP-USB-S1 Series

Adaptors, Chargers/Switching Power Supplies

OUTLINE

Standard AC adaptor with plug, featuring a USB standard TYPE_A connector for output.



FEATURES

1. Can be used with PC transmission cables as it comes with a USB standard TYPE_A output connector.
2. Comes with a plug included, which makes carrying it around so convenient.
3. Can be used overseas as it can be used with AC100/240V input voltages.
4. Semi-customizable output voltage and output current.
5. Standard Mitsumi case.
6. Energy-efficient design with minimal standby power consumption.

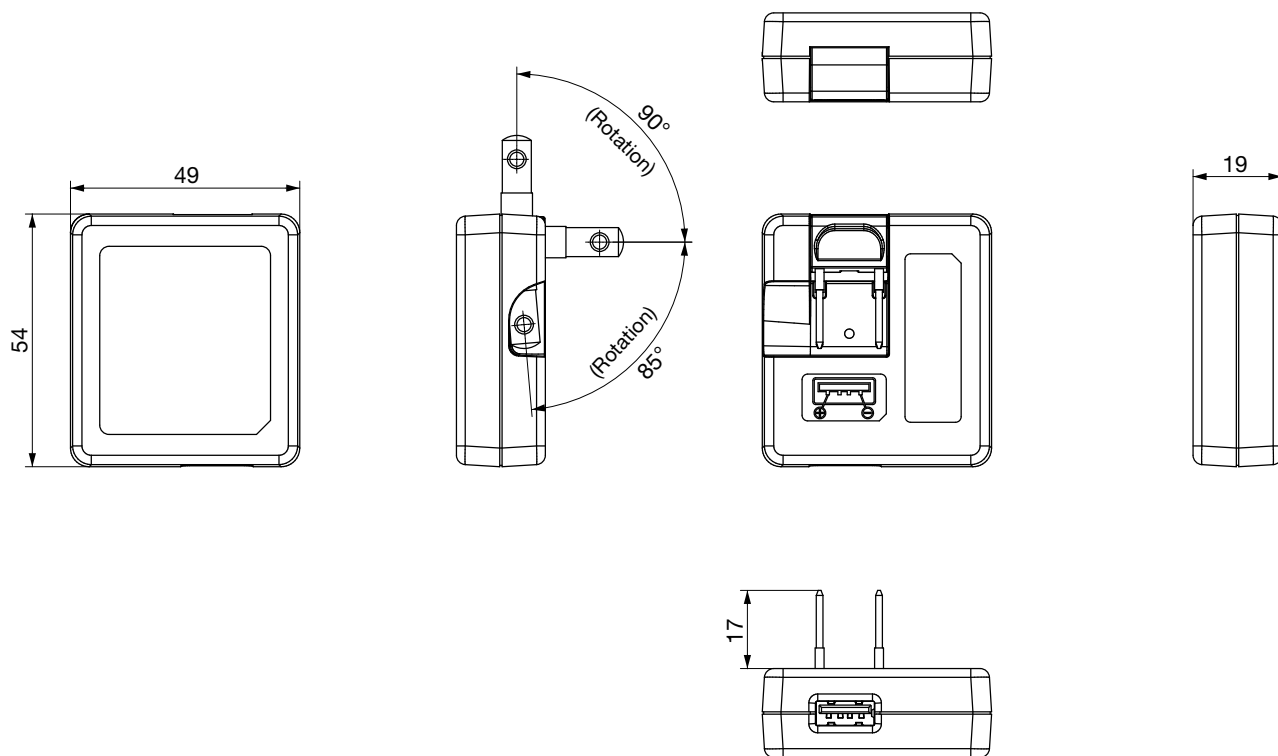
USES

1. Electronic equipment that operates on 5V/1A input power.
2. Various mobile equipment.

SPECIFICATIONS

Item	Specifications
Input Voltage	AC100V/240V
Output Voltage	DC5.0V
Output Current	DC1000mA
External Dimensions	49(W)×54(D)×19(H)mm
Safety standards	PSE

DIMENSIONS



Unit : mm