

10W AC Adaptors with Worldwide Input

ADP-G3 Series

Adaptors, Chargers/Switching Power Supplies

OUTLINE

Inlet type AC adaptor with 10W output capacity.
Can meet safety standards for all destinations.



FEATURES

1. Standard Mitsumi case.
2. Worldwide Input voltages are supported.
3. Output specifications can be customized.

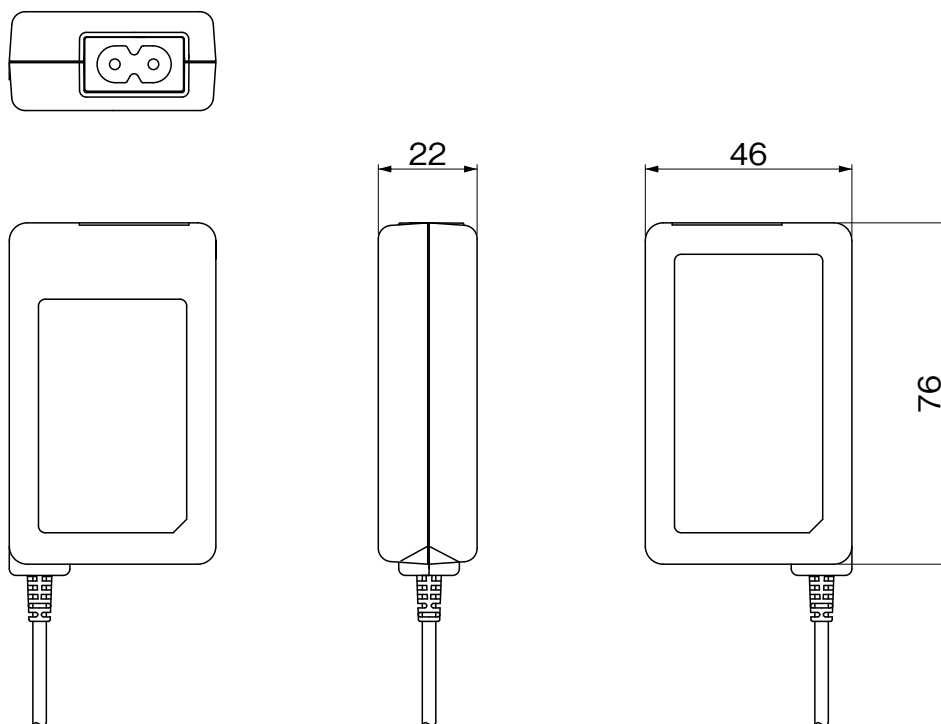
USES

1. Digital video cameras, Digital still cameras.
2. Small electric equipment.

SPECIFICATIONS

Item	Specifications
Input voltage	AC100~240V
Output capacity	10W
Destinations	Supports any kind of regulations in the world
Safety standards	Conforms to IEC60950
External dimensions	46(W)×76(D)×22(H) mm

DIMENSIONS



Unit : mm