

# Minebea DNQ18HF

( Fe Mg )

**NEW**

## Characteristic

- Motor Type  
3 Phase DC Brushless Motor
- Direction of Rotation  
CW and CCW
- Control-Driver circuit built-in.
- Compact, Light Weight and High Output
- High Efficiency
- Low Noise
- Overcurrent and Locked Rotor Protection

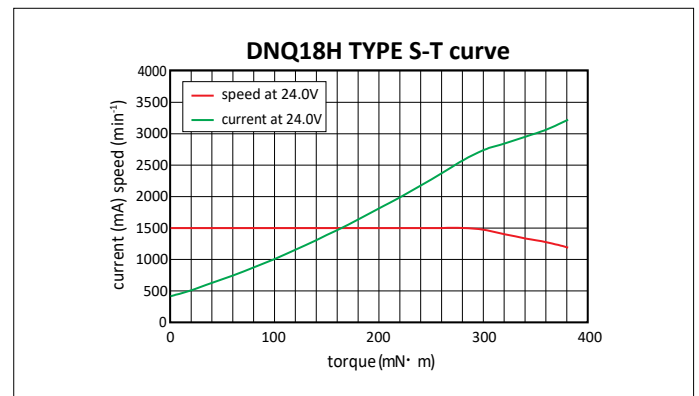
With Plate No Cover



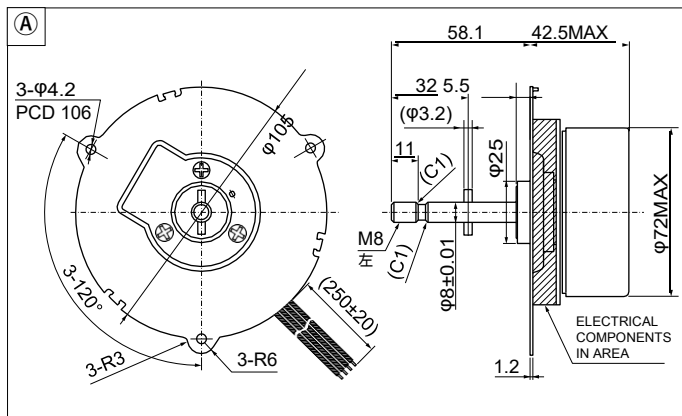
- (A)  $\Phi 70 \times L_{42}$
- (B)  $\Phi 92 \times L_{45}$
- DC Brushless motor outer rotor type

## Major Characteristic Parameters

	Min.	Nom.	Max.	Units
Operating Voltage	21.6	24	26.4	VDC
Operating Speed	200		3000	min <sup>-1</sup>
Continuous Rating Power			30	W
Rotor Inertia (Reference Value)		1550		g · cm <sup>2</sup>
Operating Temperature	0	20	50	°C
Operating Humidity	15		90	%RH
Motor Weight			700	g



## Outside Dimension (Reference)



In the case of with Cover

