

Characteristic

For Home Appliances
No Plate No Cover

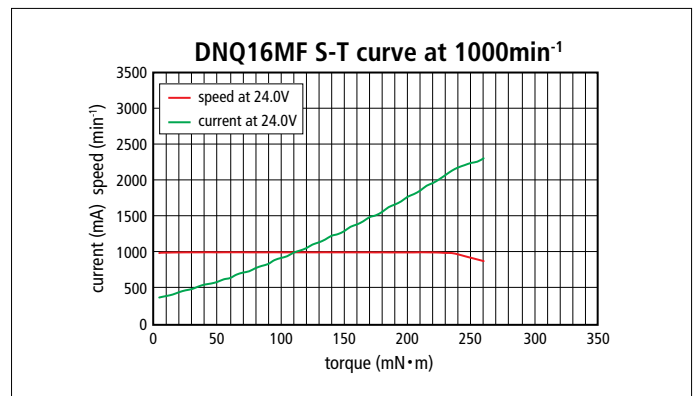
- Motor Type
3 Phase DC Brushless Motor
- Direction of Rotation
CW and CCW
- Control-Driver circuit built-in.
- Compact, Light Weight and High Output
- High Efficiency
- Low Noise
- Overcurrent and Locked Rotor Protection



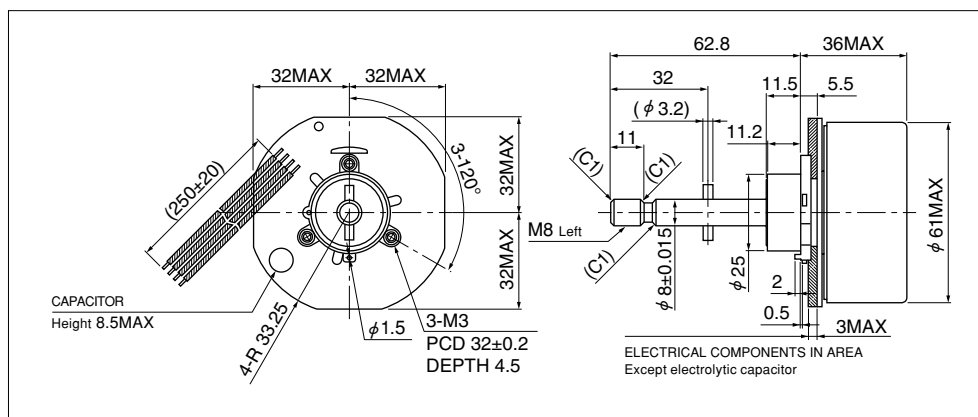
- Φ 61
- DC Brushless motor outer rotor type

Major Characteristic Parameters

Item	Min.	Nom.	Max.	Units
Operating Voltage	21.6	24	26.4	VDC
Operating Speed	300	1000	3000	min ⁻¹
Continuous Rating Power		20		W
Operating Temperature	0		50	°C
Operating Humidity	15		90	%RH



Outside Dimension (Reference)



Please contact our sales for detail specification & order lot QTY. (All custom product by customer's requirement)