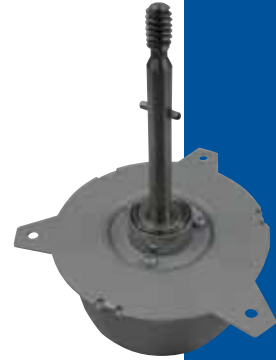


For Home Appliances  
With Plate With Cover

## Characteristic

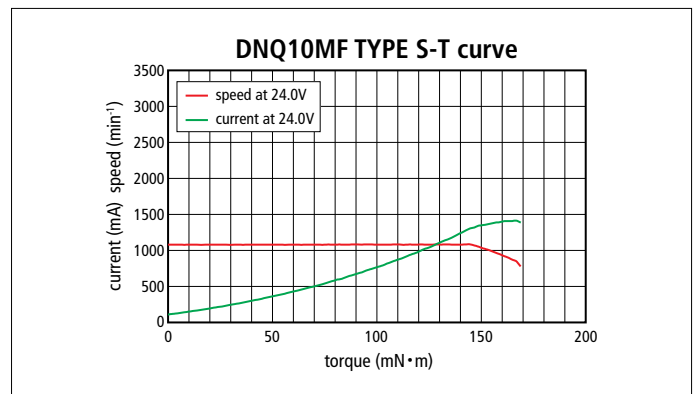
- Motor Type  
3 Phase DC Brushless Motor
- Direction of Rotation  
CW and CCW
- Control-Driver circuit built-in.
- Compact, Light Weight and High Output
- High Efficiency
- Low Noise
- Overcurrent and Locked Rotor Protection



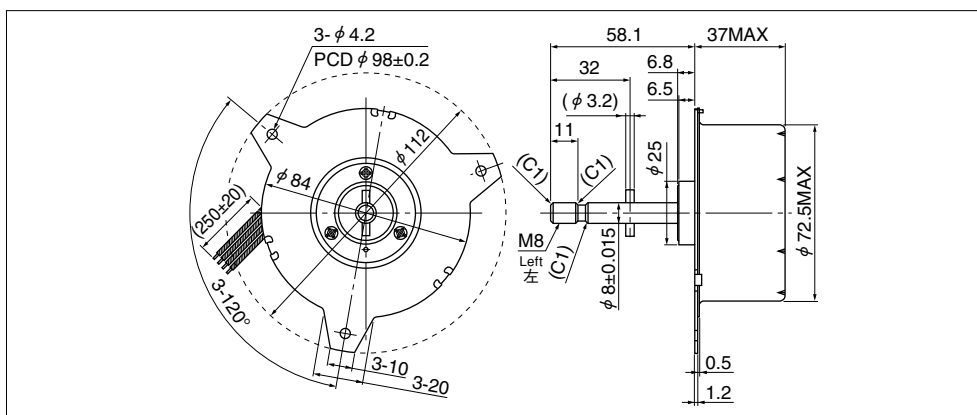
- $\Phi 72 \times L37$
- DC Brushless motor outer rotor type

## Major Characteristic Parameters

Item	Min.	Nom.	Max.	Units
Operating Voltage	21.6	24	26.4	VDC
Operating Speed	300	1000	3000	min <sup>-1</sup>
Continuous Rating Power		10	15	W
Operating Temperature	0		50	°C
Operating Humidity	15		90	%RH
Motor Weight		350		g



## Outside Dimension (Reference)



Please contact our sales for detail specification & order lot QTY. (All custom product by customer's requirement)