

Characteristic

- Driver circuit built-in
- Bearing
 - Can be select to Oil retaining bearing or Ball bearing
- Connection
 - Connector 5pin
 - JST : BM05B-SRSS-TB or JCTC : 11002W00-5P-S
- Driver IC
 - 1 chip IC is mounted.

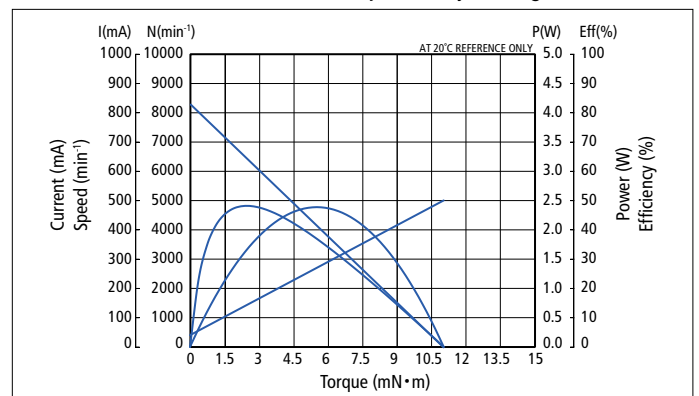


■ 3 Phase 12 poles inner rotor type DC Brushless Motor

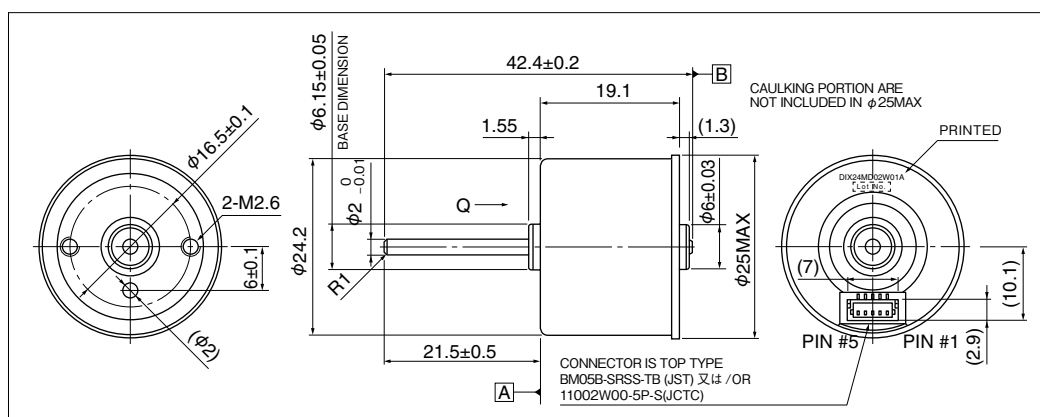
Major Characteristic Parameters (at 24V)

Item	Specification
No load speed	8250 (min ⁻¹)
Starting torque	11 (mN·m)
Starting current	500 (mA)
Maximal efficiency	48 [%]
Speed at maximal efficiency	4800 (min ⁻¹)
Life at 20°C	5000 (hour)

※ Adjustable by winding



Outside Dimension (Reference)



Please contact our sales for detail specification & order lot QTY. (All custom product by customer's requirement)