

Characteristic

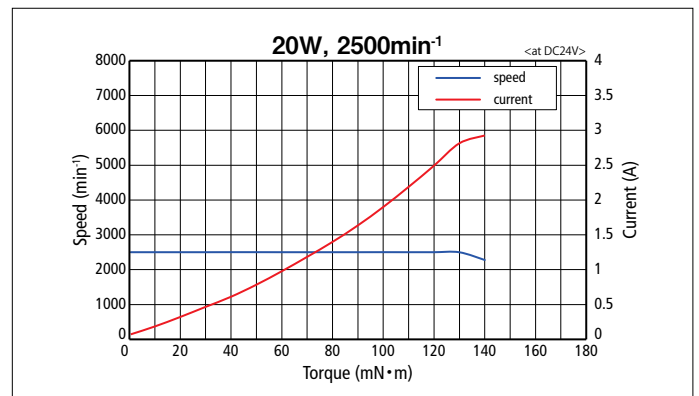
- Driver circuit and micro-computer built-in
- Step angle : 0.9deg
- Rotation speed : ~ 6,000min⁻¹
- Output power : 10W、20W



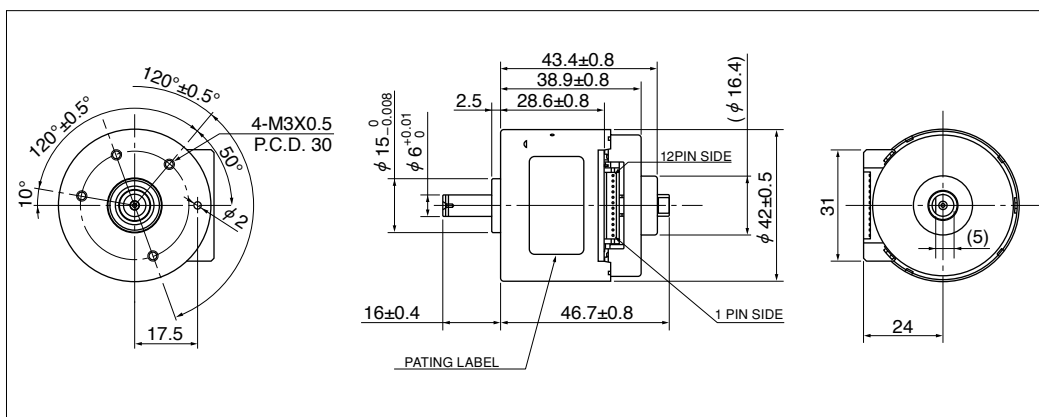
- 3 Phase inner rotor type DC Brushless Motor
- Outline dimension : $\Phi 42 \times L39、L44$

Major Characteristic Parameters

Item	Specification
Rated speed	2500 [min ⁻¹]
Rated torque	60 [mN·m]
Rated current	1000 [mA]
Rated efficiency	69.5 [%]
Continuous rating power	12 [W]
Short time rating power	20 [W]



Outside Dimension (Reference)



Please contact our sales for detail specification & order lot QTY. (All custom product by customer's requirement)