

### Characteristic

- Driver circuit built-in
- Driver IC  
1 chip IC is mounted.
- Connection
  - Connector 5pin
  - JST : S5B-PH-K
- Interface (5 terminals)
  - Power Supply ... 10 ~ 28V
  - GND
  - FG ... 6 pulses per rotation
    - 0 ~ 0.3V Open drain out-put
    - -0.3 ~ 7V Absolute maximum rating (IFG 5mA)
  - PWM ... Rotational speed adjustment terminal, High active
    - High (2 ~ 5V) : Motor ON, Low (0 ~ 0.8V) : Motor OFF
    - PWM frequency : 15kHz ~ 30kHz
    - 0.3 ~ 5.5V Absolute maximum rating
  - FR ... CW / CCW switch
    - High (2 ~ 5V) : CW, Low (0 ~ 0.8V) : CCW (viewed from output shaft)
    - 0.3 ~ 5.5V Absolute maximum rating

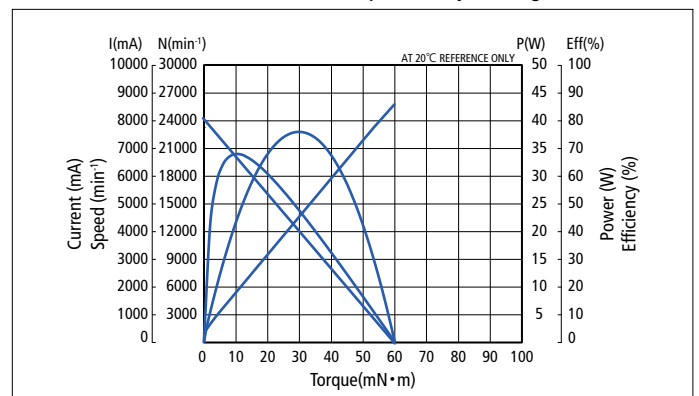


■ 3 Phase 12 poles outer rotor type DC Brushless Motor

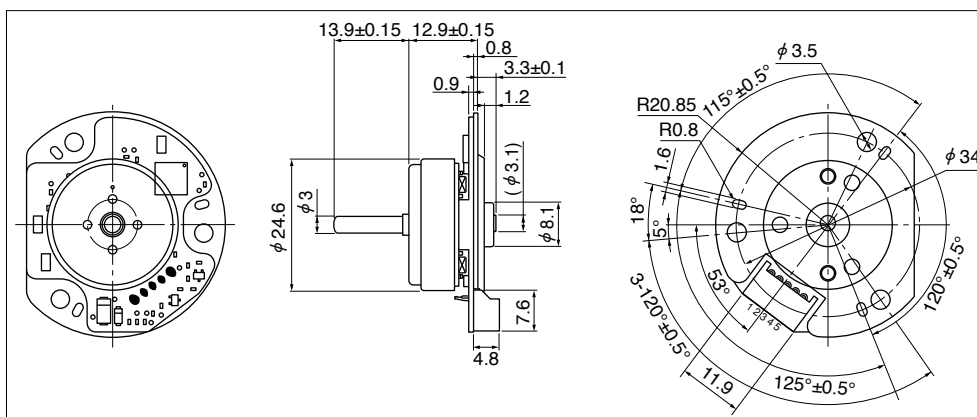
### Major Characteristic Parameters (at 12V)

Item	Specification
No load speed	24000 [min <sup>-1</sup> ]
Maximal efficiency	67 [%] (at 10mN·m)
Speed at maximal efficiency	20000 [min <sup>-1</sup> ]
Continuous operation range	< 2A rms

※ Adjustable by winding



### Outside Dimension (Reference)



Please contact our sales for detail specification & order lot QTY. (All custom product by customer's requirement)