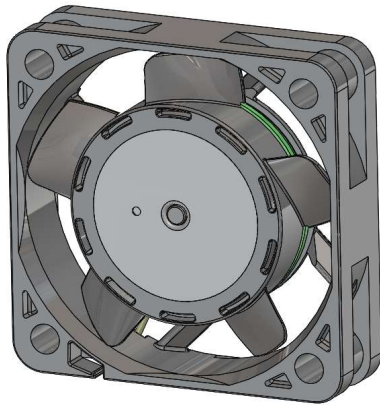


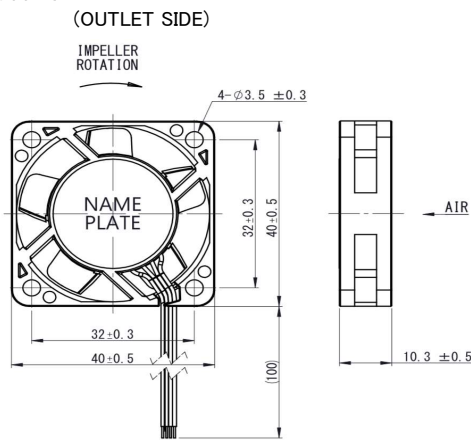
DC Axial Fan Ball Bearing



■ General Specifications

- Motor Protection : Auto Restart
- Insulation Resistance : 10MΩ or over with a DC500V Megger
- Dielectric Withstand Voltage : AC700V 1s
- Allowable Ambient : (-40°C~+105°C) (Operating)
- Temperature Range (-40°C~+105°C) (Storage)
- non-condensing environment

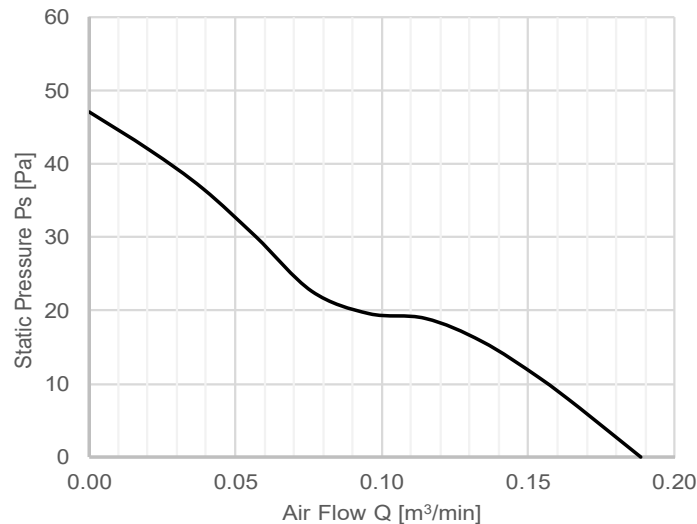
■ Outline



■ Material

- Casing : Plastic
- Impeller : Plastic
- Bearing : Ball Bearing
- Lead Wire : +: Red, -: Black
- [Option] Speed Signal (2pulse/rev) : White
- (04010UA05 : Open Collector)
- (04010UA12 : Open Drain)
- PWM Speed Control : Brown

■ Characteristic Curves



■ Typical characteristics of the soft-tool sample

Model	Rating Voltage	Operating Voltage	Current	Input Power	Speed	Max. Volume Flow rate	Max. Static Pressure	Acoustic Noise	
	(V)	(V)	(A)*1	(W)*1	(min ⁻¹)*1	(m ³ /min)*1 (CFM)*1	(Pa)*1 (In H ₂ O)*	(dB)*1,*2	
04010UA05	5	4.5 ~ 5.5	0.11	0.55	7500	(0.19) (6.7)	(47) (0.19)	TBD	
04010UA12	12	9 ~ 16	0.07	0.84	7500	(0.19) (6.7)	(47) (0.19)	TBD	

Rotation : Clockwise as seen from the label side

Airflow Outlet : Label side

*1: Average Values in Free Air. It is the reference value of the soft-tool sample, not guaranteed value.

*2: Measured by Microphone distance 1m.