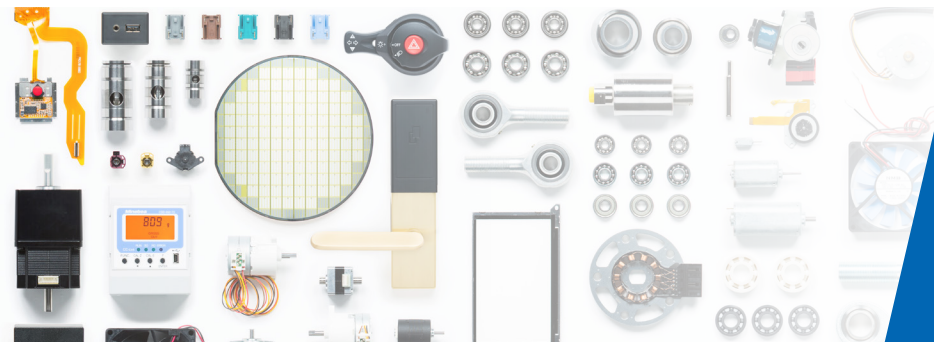
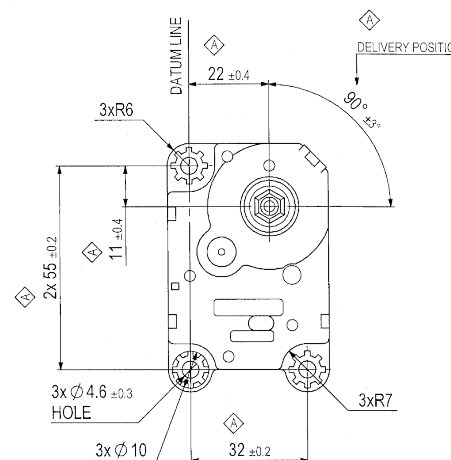
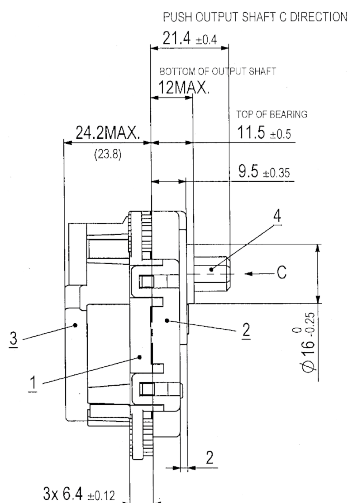
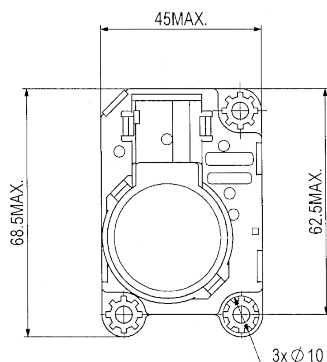
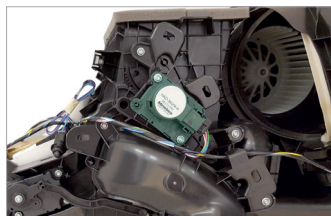


HVAC - Actuator

HAD

HVAC Actuator Direct (HAD)

	HAD120 i=120	HAD225 i=225	HAD360 i=360
Nominal Torque range [Nm]	0.55 0.25...1.1	0.9 0.35...2	1.4 0.5...3
Temperature range [°C]	-40...+85	-40...+85	-40...+85
Rotation Speed [rpm]	5...6.25	2.67...3.34	1.67...2.09
Output power [W]	0.16 ... 0.58	0.12 ... 0.56	0.11 ... 0.52
Communication Interface	Direct drive	Direct drive	Direct drive
EMC CISPR25	n/a	n/a	n/a
Dimensions [mm]	68/45/35	68/45/35	68/45/35
Weight [g]	85	85	85
Output	Single	Single	Single
Ingress Protection	IP5K0K	IP5K0K	IP5K0K
Motor	STEP 20 Unipolar	STEP 20 Unipolar	STEP 20 Unipolar
Remarks	Direct stepper actuator		



MinebeaMitsumi
Passion to Create Value through Difference

39830 Grand River Ave
 Novi, MI 48375, U.S.A
www.nmbtc.com

Christian Voegerl
 Phone: +001 (248) 919-2248
 E-Mail: cvoegerl@nmbtc.com

© MinebeaMitsumi Technology Center Europe GmbH 2019,
 technical changes reserved, Rev.1