



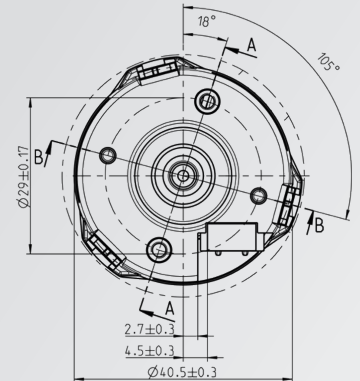
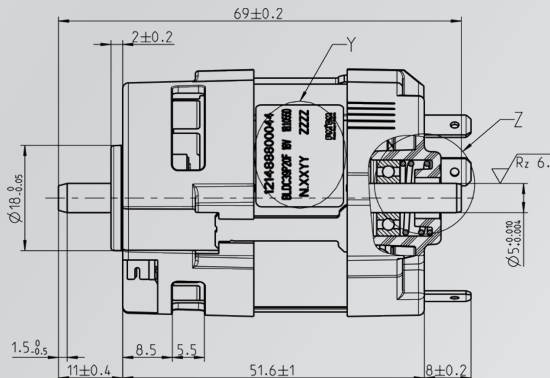
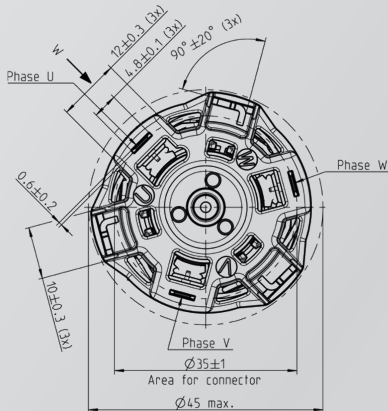
# BLDC 39P20F

18.1.055D

Brushless 3 – Phase DC Motor

| Rated Voltage | No Load Speed | Rated Speed | Cont. Power | Rated Torque | Current at rated Speed | Efficiency at Rated Speed |
|---------------|---------------|-------------|-------------|--------------|------------------------|---------------------------|
| [ V ]         | [ rpm ]       | [ rpm ]     | [ W ]       | [ mNm ]      | [ A ]                  | [ % ]                     |
| 18            | 14.970        | 11.300      | 130         | 110          | 8,7                    | 81                        |

Motor Code: 12148800044



## General informations

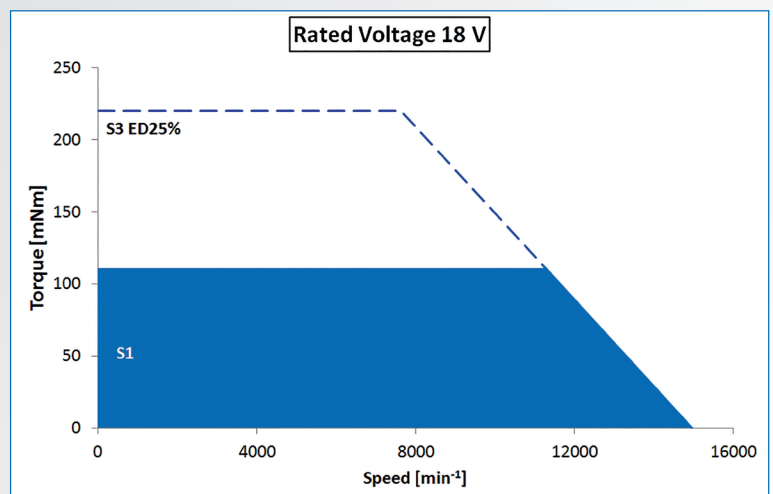
- **Class of protection:** IP20
- **Mounting position:** free
- **Duty cycle:** up to 100 %
- **Bearing system:** Ball Bearings
- **Torque Constant:** 11,0 mNm/A
- **Weight:** 0,18 kg
- **Rotor Inertia:** 34 gcm<sup>2</sup>
- **Oper. Temp. Range:** -20 °C to +45 °C
- **Max. Temp. Rise:** 70 K
- **Direction of Rotation:** CW / CCW
- **Class of Insulation:** F
- **Shaft Material:** Steel
- **Number of Poles:** 6

## Options

- **Integrated Drive Electro.:** No
- **Planetary Gearbox:** No
- **Sensorless Operation:** Yes
- **Shaft hardened (Surface):** Yes

## Features

- High power-to-volume ratio
- High efficiency at duty point
- Extremely reliable



NMB Technologies Corporation  
 A MinebeaMitsumi Group Company  
 39830 Grand River Avenue  
 Novi, MI 48375  
 Tel: 248-919-2250  
 eMail: info@nmbtc.com  
 nmbtc.com