

BLDC 24P24A

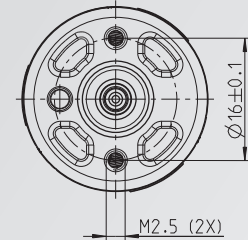
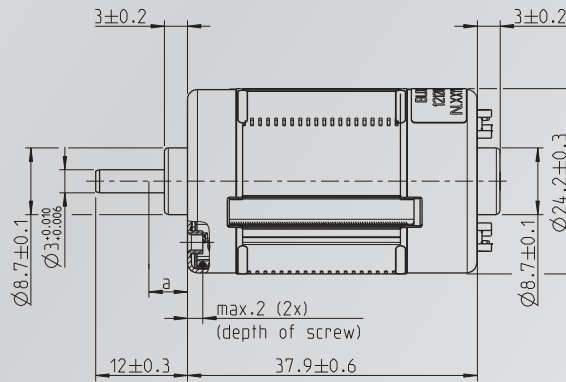
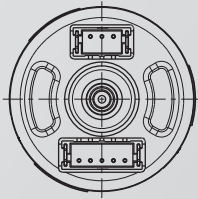
24.1.0315D

Brushless 3 – Phase DC Motor



| Rated Voltage | No Load Speed | Rated Speed | Cont. Power | Rated Torque | Current at rated Speed | Efficiency at Duty Point |
|---------------|---------------|-------------|-------------|--------------|------------------------|--------------------------|
| [V] | [rpm] | [rpm] | [W] | [mNm] | [A] | [%] |
| 12 | 8.335 | 7.020 | 19.5 | 26 | 1,9 | 75 |

Motor Code: 121088800066



General informations

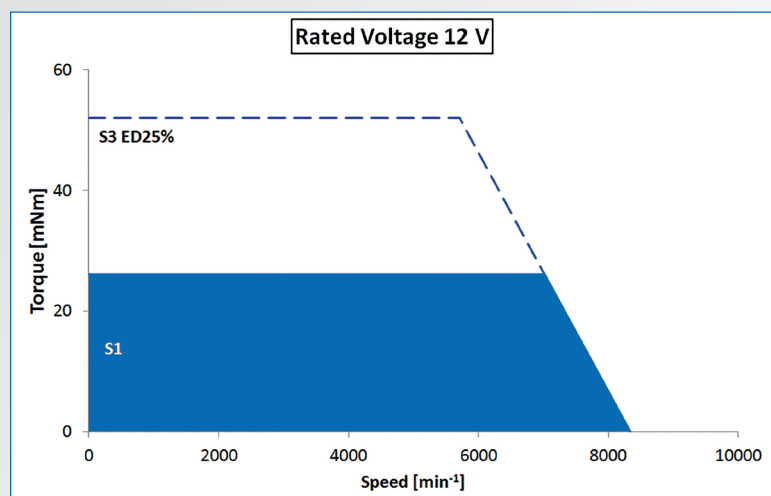
- **Class of protection:** IP20
- **Mounting position:** free
- **Duty cycle:** up to 100 %
- **Bearing system:** Ball Bearings
- **Torque Constant:** 12,9 mNm/A
- **Weight:** 0,08 kg
- **Rotor Inertia:** 3,9 gcm²
- **Oper. Temp. Range:** -20 °C to +45 °C
- **Max. Temp. Rise:** 70 K
- **Direction of Rotation:** CW / CCW
- **Class of Insulation:** H
- **Shaft Material:** Steel, not hardened
- **Number of Poles:** 6

Options

- **Integrated Drive Electro.:** No
- **Planetary Gearbox:** Yes
- **Sensorless Operation:** Yes
- **Shaft hardened (Surface):** Yes

Features

- High power-to-volume ratio
- High efficiency at duty point
- High reliability



PM DM

Minebea Group of Companies
 Minebea-Weg 1
 78052 Villingen-Schwenningen
 GERMANY
 www.pmdm.de
 Phone: +49 (0)7721 997-100
 E-Mail: sales@pmdm.de

Minebea
 Passion to Exceed Precision